

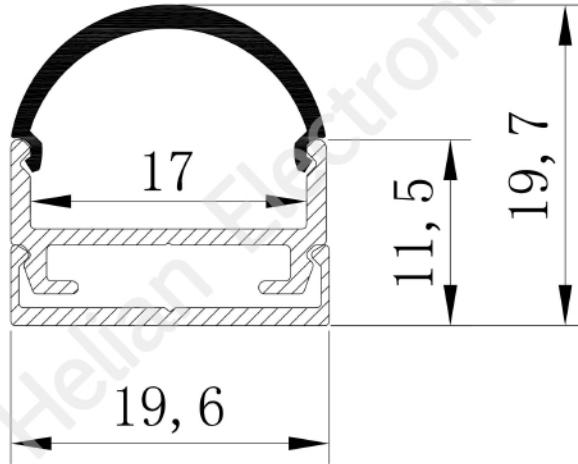
# Product Specification

**Model:** HL-BAPL010

**Accessories:** plug



**Product Size**



**The installation diagram**

